

PRODUCT TECHNICAL SHEET

| | | | |
|--------------|------|--------|------------|
| Collection : | TRIO | Ref. : | 1001.--.06 |
|--------------|------|--------|------------|

Robinet double service

Dubbele dienstkraan

Double service tap

Picture

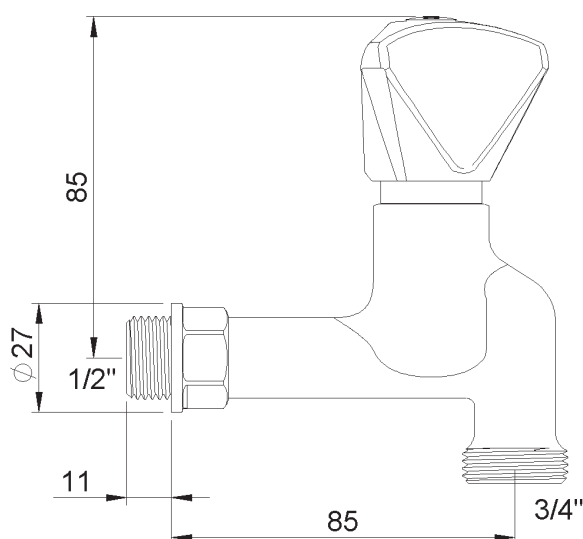
Product details



Weight : 0,7 kg

Internal mechanism : 1/3 turn compression valve

Technical drawing



RAO.V01